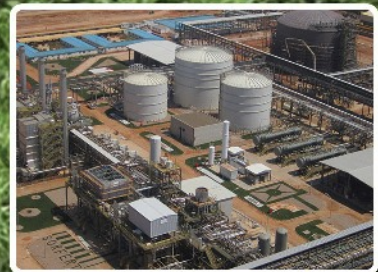


# **PREMIER™** **HIGH QUALITY CHAIN**

**Palm Oil Mill Series & Customize Model**

**Supported by PREMIER ENGINEERING SOLUTIONS (ASIA) PTE. LTD.**



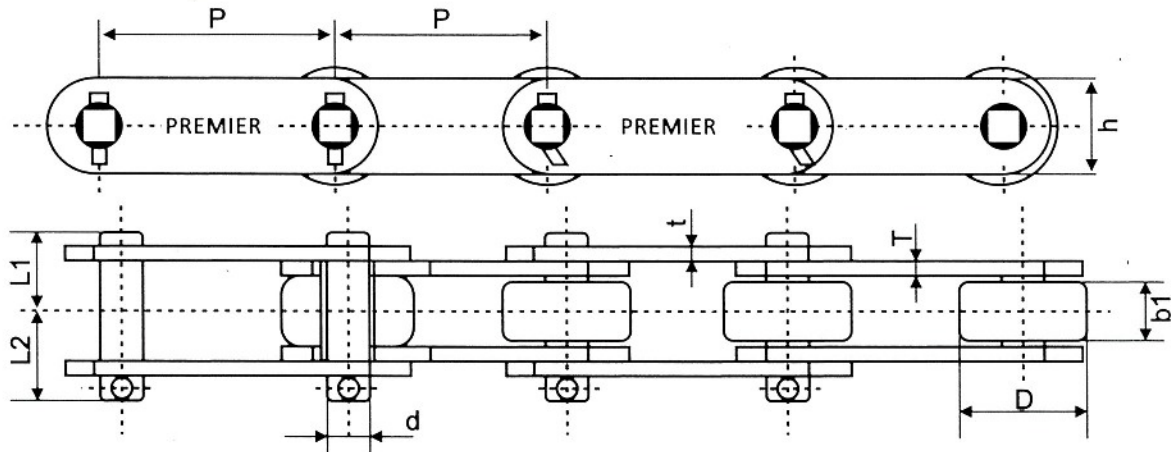
**PREMIER™** Chain designed with sufficient experience for decades and using United Kingdom Technology.

**PREMIER™** Chain under very strict quality control with supported by PREMIER ENGINEERING SOLUTIONS ( ASIA ) PTE. LTD.

**PREMIER™** Chain is the best solution for our need about chain which has the best quality and most competitive price. One type of our customer is Palm Oil Mill. We hope can provide the entire chain that needs in Palm Oil Mills.

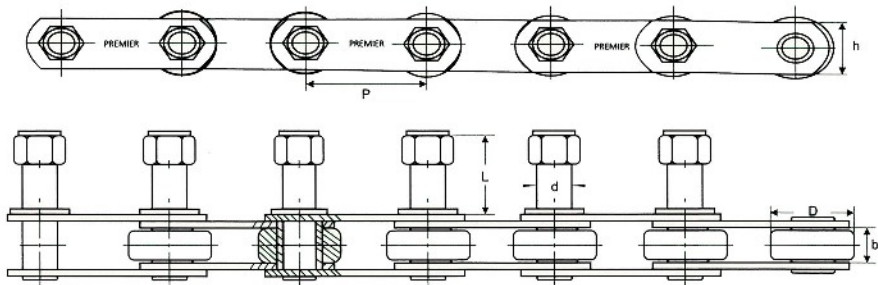
Starting from increase of market share, we will continue to develop the quality and type of **PREMIER™** Chain products. In addition, we also will improve after-sales service and give all the best for our customers.

## SOLID PIN with T - Pin

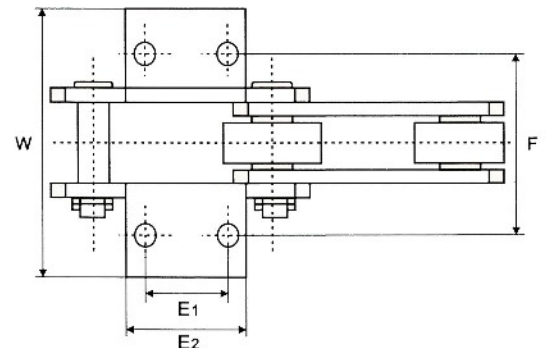


CHAIN MODEL	BREAKING LOAD	PITCH ( P )		ROLLER ( D )	INNER WIDTH ( b1 )	PIN			PLATE			AVERAGE WEIGHT
	Lbs	Inch	mm	mm	mm	d mm	L1 mm	L2 mm	h mm	t mm	T mm	Kg/m
PMC S400300 T-Pin	30,000	4	101.6	47.6	19.0	19.0	23.9	26.0	39.4	5.1	5.1	6.9
PMC S400510 T-Pin	51,000	4	101.6	66.7	25.4	33.0	30.0	30.0	51.0	5.1	5.1	10.5
PMC S600600 T-Pin	60,000	6	152.4	66.7	25.4	22.0	35.0	37.0	50.8	6.4	7.8	11.8
PMC S600700 T-Pin	70,000	6	152.4	66.7	25.4	26.9	39.0	44.0	50.8	7.8	7.8	12.9
PMC S600800 T-Pin	80,000	6	152.4	88.9	38.1	31.8	41.0	43.0	61.0	9.0	9.0	25.0

## EXTENDED SOLID T- PIN with Self Locked Nut

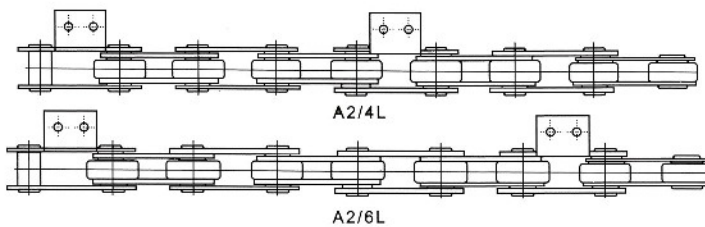
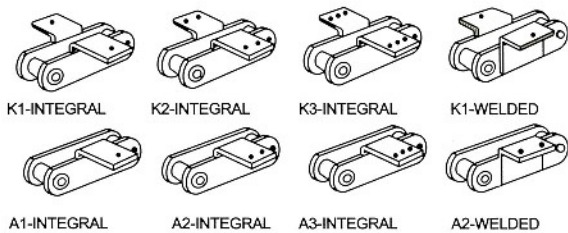
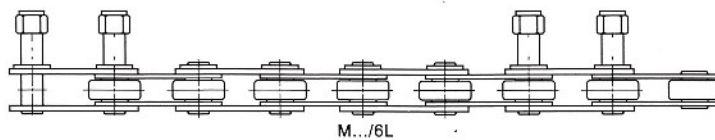
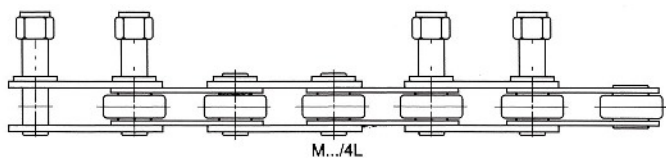


## ATTACHMENT for Conveyor Chain

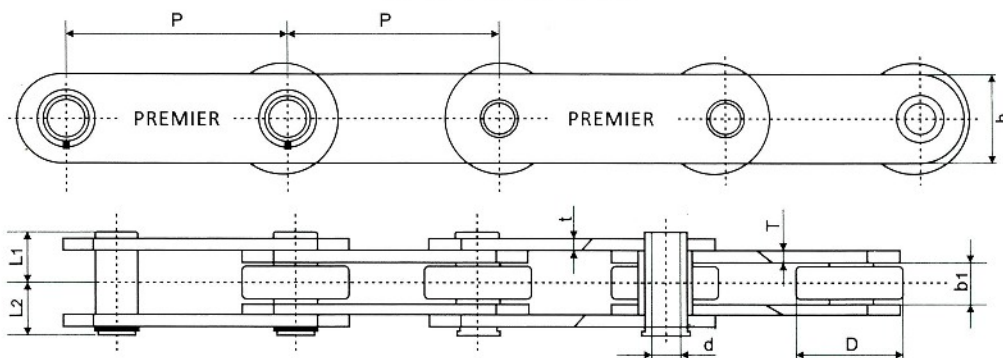


PITCH		ROLLER	BREAKING LOAD	EXTENDED PIN CHAIN MODEL	PIN		ATTACHMENT CHAIN MODEL	E1	E2	W	F
Inch	mm	mm	Lbs		d mm	L mm		mm	mm	mm	mm
4	101.6	47.6	30,000	PMC S400300 M16/...L	19.0	31.0	PMC S400300 K2/...L	31.8	63.5	138.0	89.0
6	152.4	66.7	60,000	PMC S600600 M20/...L	22.0	42.0	PMC S600600 K2/...L	57.2	107.0	157.0	108.0
6	152.4	66.7	70,000	PMC S600700 M24/...L	26.9	47.0					

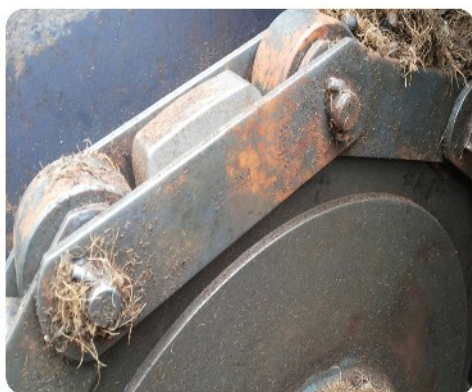
**Note** : In addition to the model listed above, there are many other models that can be ordered.



### HOLLOW PIN



CHAIN MODEL	BREAKING LOAD	PITCH ( P )		ROLLER ( D )	INNER WIDTH ( b1 )	PIN			PLATE			AVERAGE WEIGHT
	Lbs	Inch	mm	mm	mm	d mm	L1 mm	L2 mm	h mm	t mm	T mm	Kg/m
PMC H400260	26,000	4	101.6	47.6	19.0	19.0	23.9	23.9	39.0	5.1	5.1	6.6
PMC H400400	40,000	4	101.6	66.7	25.4	32.0	26.0	26.0	51.0	5.1	5.1	8.5
PMC H600500	50,000	6	152.4	66.7	25.4	20.0	35.0	35.0	50.8	6.4	7.8	10.9
PMC H600600	60,000	6	152.4	88.9	38.0	22.8	39.0	39.0	61.0	8.0	8.0	23.0



**Note** : In addition to the model listed above, there are many other models that can be ordered.

# PREMIER™

## HIGH QUALITY CHAIN



With **PREMIER™** - You are in better shape for the future.  
Simply ask us - we will take care of the rest.

### PT PREMIER ENGINEERING INDONESIA

Jl Pulau Bunaken No. A3 - Kawasan Industri Medan III  
Medan 20242 - North Sumatera - Indonesia

☎ : (+62) 85102393948

📘 : PT Premier Engineering Indonesia

📷 : premier.engineering.indonesia

✉ : support@premier-engineering.co.id

📺 : PT Premier Engineering Indonesia

🌐 : www.premier-engineering.co.id

