

**Dexterpalma**



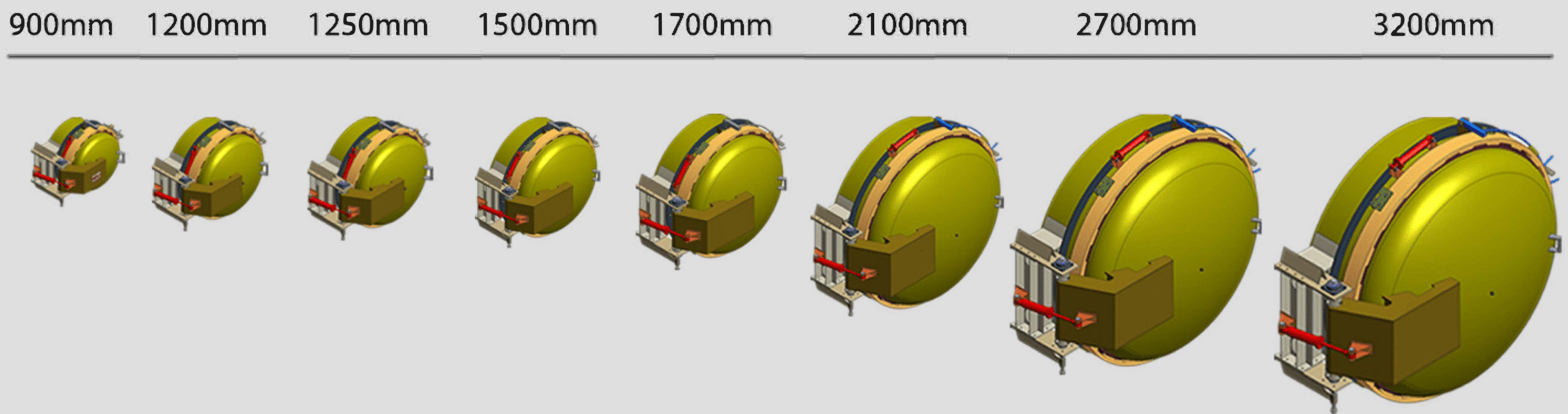
# **DEXTER Sterilizer Door**

Available in all custom size

[www.dexterpalma.com](http://www.dexterpalma.com)



## Available size

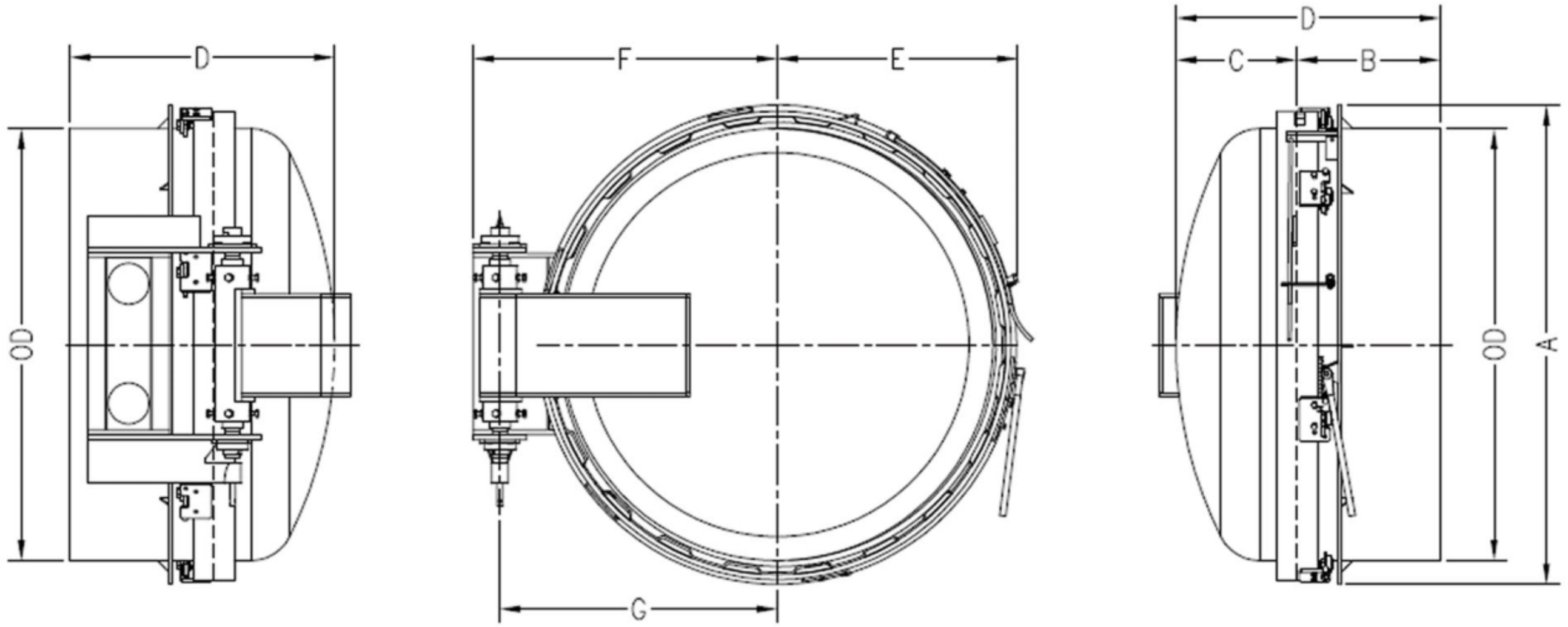


## Sterilizer Door - quick actuating door for sterilizer application

Typical size for vertical sterilizer: 900 - 1250mm

Typical size for horizontal sterilizer: 1700 - 3200mm

# Dimension

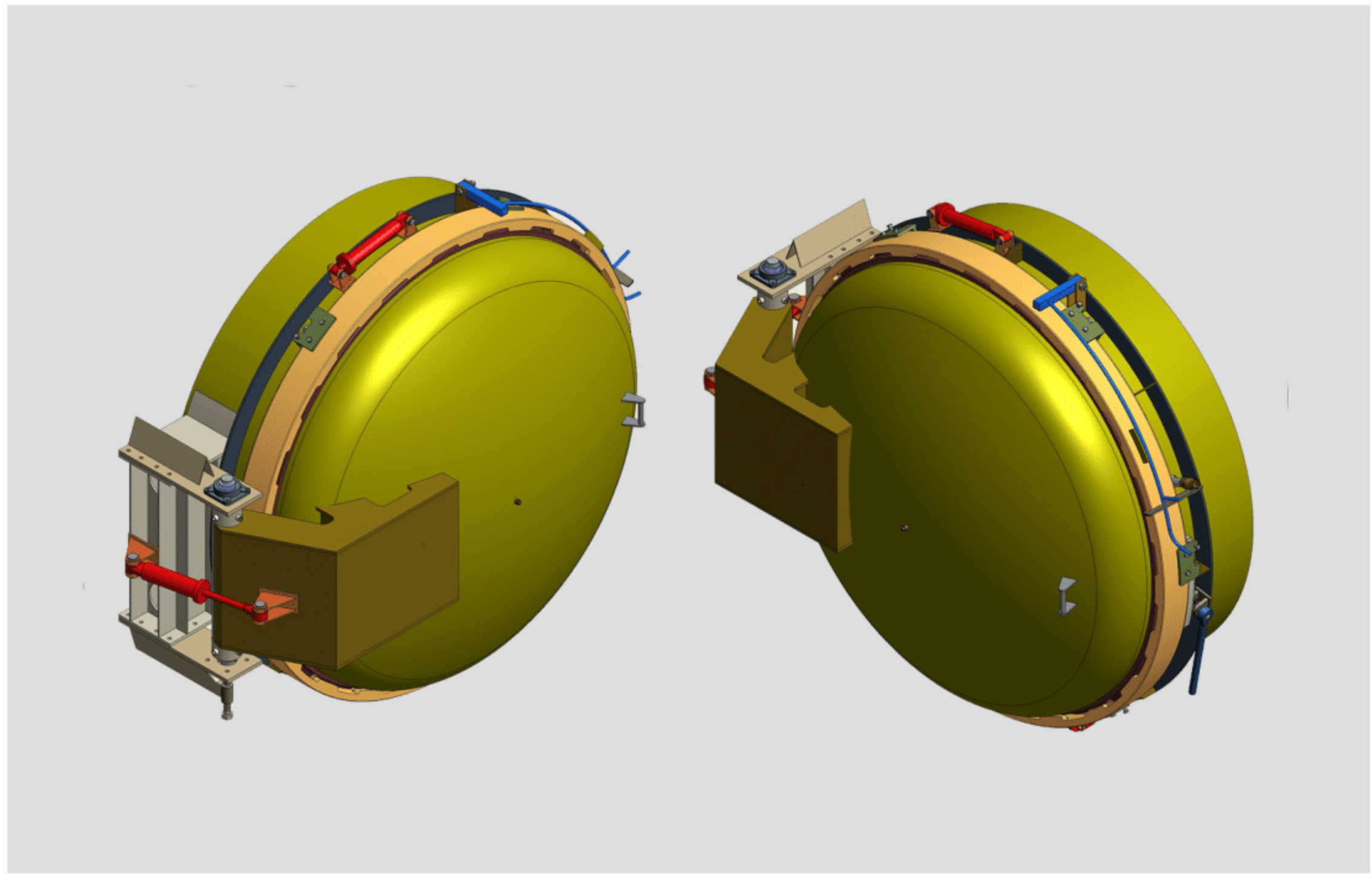


Dimension (mm)							
OD	A	B*	C	D	E	F	G
950	1100	500	235	735	570	665	605
1200	1350	500	385	885	720	840	765
1250	1450	500	405	905	795	890	865
1500	1700	600	425	1025	835	995	890
1700	1900	600	460	1060	1020	1190	1085
2100	2300	700	525	1225	1320	1470	1340
2700	2900	700	650	1350	1620	1770	1640
3200	3400	800	800	1600	1875	2075	2025

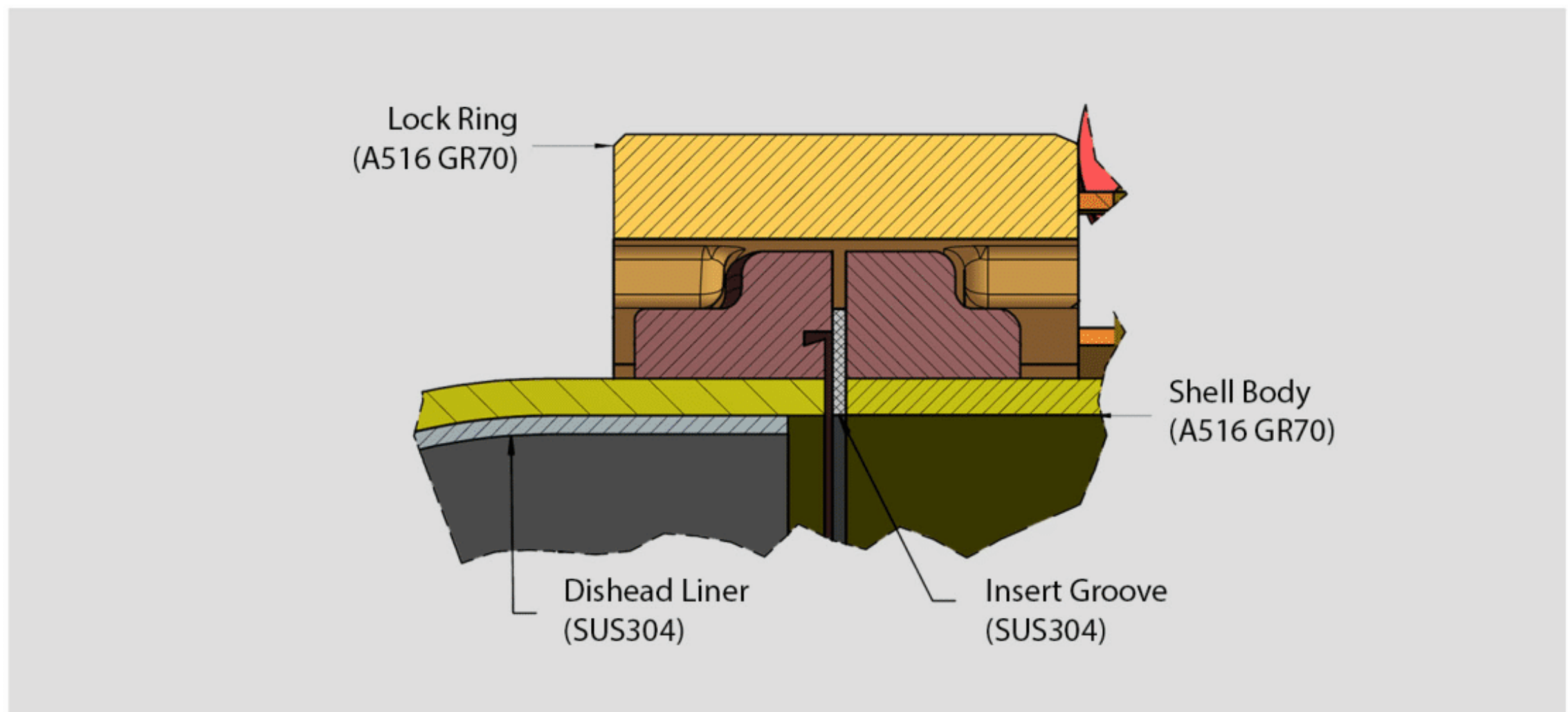
\*standard size, custom size available



## Isometric View



## Materials



## Accessories



Wrench



Flange Bearing



Gasket/ packing

## Optional



Hydraulics

## Technical Data (Approved by DPNKK Indonesia)

---

Available size	900mm/ 1200mm/ 1250mm/ 1500mm/ 1700mm/ 2100mm/ 2700mm/ 3200mm
Body material	ASTM A516 Gr. 70
Dish head material	ASTM A516 Gr. 70
Dish head liner material	Stainless steel SS304
Lock ring material	ASTM A516 Gr. 70
Insert groove material	Stainless steel SS304
Painting	Heat resistant primer
Working Pressure	3.5kgf/cm <sup>2</sup> (49.78psi)
Test Pressure	7kgf/cm <sup>2</sup> (99.56psi)
Locking Device	Rotating ring with tapered segments
Opening & closing mechanism	A set of robust rack and pinion gear
Safety Device	SS safety valve & locking level
Seal (gasket)	Heat & oil resistant, self sealing rubber



**PT. DEXTER PALMA INDONESIA**

Jl Pulau Bunaken B3 Kawasan Industri Medan III  
Medan 20242